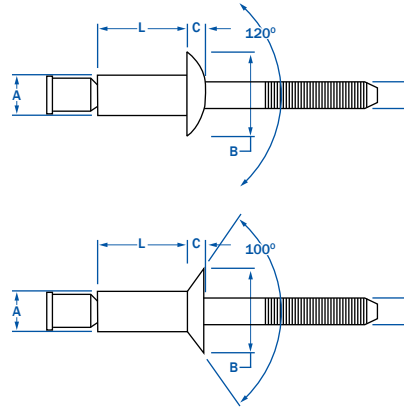


**AVAILABLE IN STEEL, ALUMINUM, AND STAINLESS STEEL**

*\*A Special nose piece is required to set externally locked structural blind rivets.*

The RivetKing® Tigerbolt® is a structural rivet with an external locking feature. This locking feature is visible after the rivet is applied. When applied, the special nose piece that is required to set the rivet creates a small expansion of a shoulder on the mandrel in a pocket located on the surface of the rivet head. The locking feature can then be inspected and confirmed to be effective during assembly. The Tigerbolt® has a stronger clamp up than the In-lock® and is tighter at minimum grip. The mandrel is retained within the shear plane yielding high strength under shear loads and the external lock insures positive mandrel retention which results in high strength under pullout loads. Typically used in the manufacturing or repair of truck bodies, the Tigerbolt® is leak resistant and has excellent clamp-up force. The Tigerbolt® has a wide grip range and is offered in two diameters and two lengths. The mandrel breaks flush with the head when applied and is set **with** a special nose piece.



Material	PART NUMBER	A RIVET SIZE	GRIP RANGE MIN. - MAX.	Head Style	L		B	C	D	HOLE SIZE MIN. - MAX.	SHEAR LBS.F	TENSILE LBS.F	MANDREL PUSHOUT LBS.F
					LENGTH MAX.	HEAD DIA MAX.	HEAD HEIGHT MAX.	MANDREL DIA NOM.					
ALUMINUM	ABA - 64 - TB	3/16"	.062 - .250	Dome	.416	.400	.090	.118	.194 - .204 (#10)	550	450	50	
	ABA - 67 - TB		.062 - .437	Dome	.577								
	ABA - 86 - TB	1/4"	.080 - .375	Dome	.556	.530	.117	.157	.261 - .276 (G)	1270	830	50	
	ABA - 810 - TB		.080 - .625	Dome	.806								
	ACA - 88 - TB		.125 - .500	C'sunk	.581	.450	.070	.157					
STEEL	SBS - 64 - TB	3/16"	.062 - .250	Dome	.416	.400	.090	.118	.194 - .204 (#10)	1300	1000	100	
	SBS - 67 - TB		.062 - .437	Dome	.577								
	SBS - 86 - TB	1/4"	.080 - .375	Dome	.556	.530	.117	.157	.261 - .276 (G)	2400	1850	250	
	SBS - 810 - TB		.080 - .625	Dome	.806								
	SCS - 88 - TB		.125 - .500	C'sunk	.581	.450	.070	.157					
STAINLESS	FBF - 64 - TB	3/16"	.062 - .250	Dome	.416	.400	.090	.118	.194 - .204 (#10)	1300	950	100	
	FBF - 67 - TB		.062 - .437	Dome	.577								
	FBF - 86 - TB	1/4"	.080 - .375	Dome	.556	.530	.117	.157	.261 - .276 (G)	2350	1800	200	
	FBF - 810 - TB		.080 - .625	Dome	.806								
	FCF - 88 - TB		.125 - .500	C'sunk	.581	.450	.070	.157					

